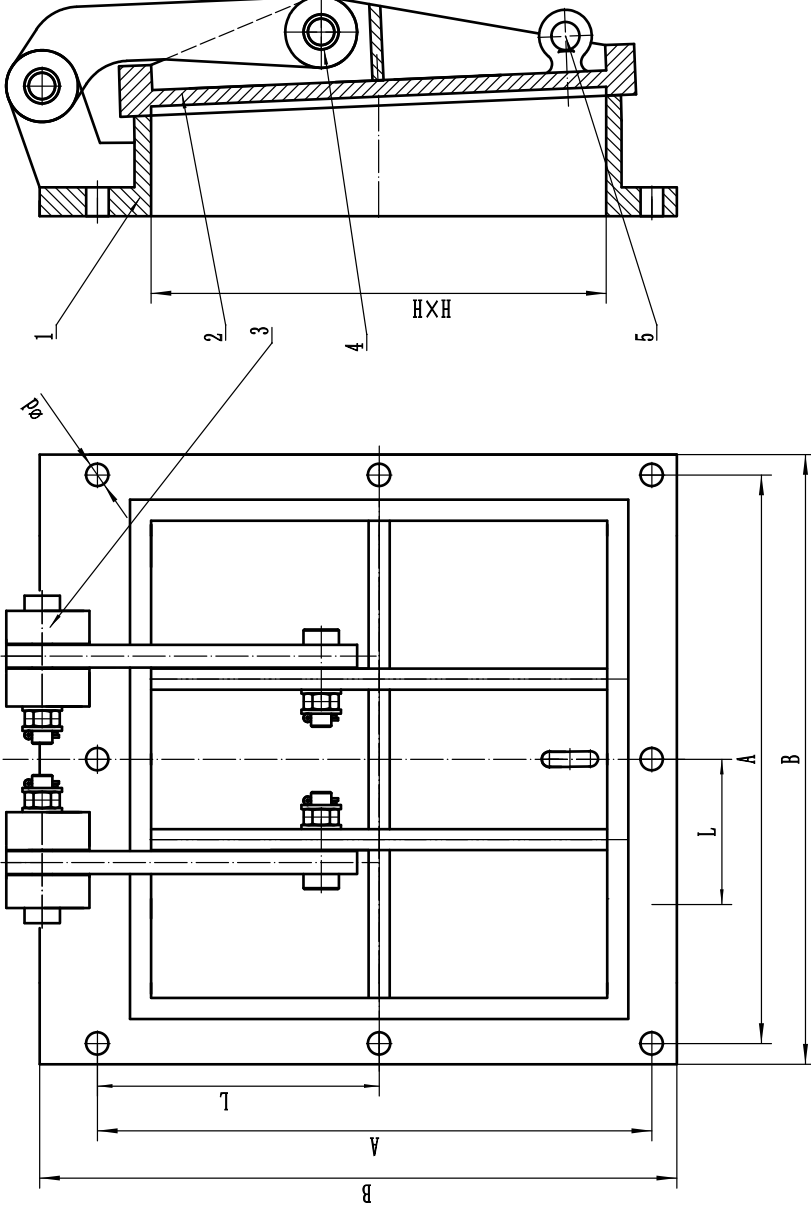


Technical data	
type	PM
Standard	1000*1000
Nominal Pressure	5m
Suitable Mediums	Water
Temperature	<120°C



Material		
No.	Part	Material
1	阀体/Body	Gray cast iron/灰铸铁
2	阀板/board	Gray cast iron/灰铸铁
3	转轴/Hinge	stainless steel/不锈钢
4	衬套/Bushing	stainless steel/不锈钢
5	凸耳/Pivot Lug	stainless steel/不锈钢

# Square flap valves



TIANJIN

TANGGU JINBIN VALVE CO., LTD